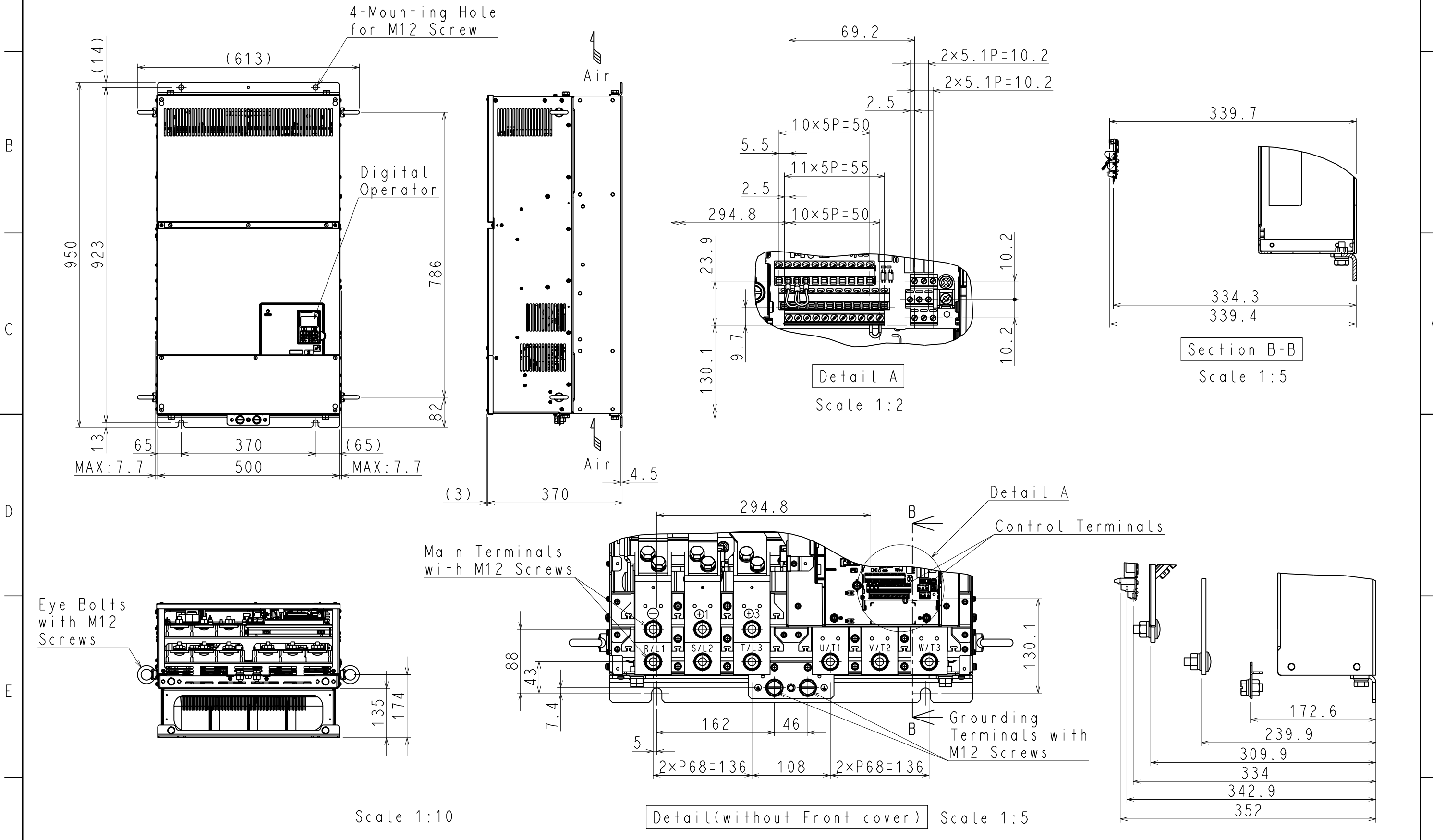


DWG. NO. EZZ902415-1/1

Model No.	Max Appli. Motor (kW)		Terminal Symbol			Cooling Fan	Mass (kg)			
	Normal Duty	Heavy Duty	INPUT OUTPUT(MOTOR)							
CIMR-LB4□0370A	-	185	R/L1	S/L2	T/L3	U/T1	V/T2	W/T3	3	125
CIMR-LU4□0370A	-	185	R/L1	S/L2	T/L3	U/T1	V/T2	W/T3	3	125

□: A to Z

Third Angle Projection
Dimensions in mm



REVISIONS	SCALE ---: ---		DRAW. Nov. 28. 2013 N. Takeyama	TITLE L1000A OPEN CHASSIS TYPE	DWG. NO. EZZ902415	1/1	REV.
			CHECK M. Kojyo	DIMENSION DIAGRAM			
			APPR. M. Kojyo				